

DRIVER: _____ DATE: _____ AIR TEMP.: _____ HUMIDITY: _____

TRACK: _____ TRACK CONDITION: _____ TRACK TEMP.: _____

FRONT WIDTH: _____ REAR WIDTH: _____ WHEELBASE: _____ mm

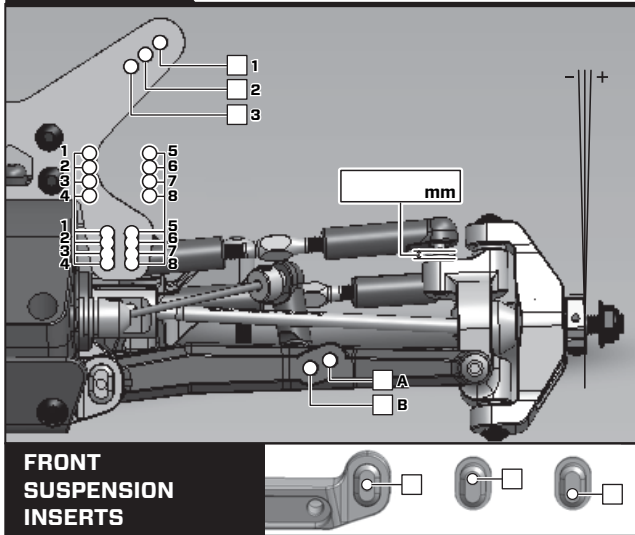
MOTOR: _____ RECEIVER: _____ SPUR GEAR: _____ PINION GEAR: _____

SERVO: _____ WING: _____ BATTERY: _____

FRONT TIRE INSERT: _____ REAR TIRE INSERT: _____ FRONT ANTI ROLL BAR: _____ mm

REAR ANTI ROLL BAR: _____ mm BEST LAP: _____

FRONT



CAMBER

L _____

R _____

FRONT TIRE

TYPE _____

HARDNESS _____

FRONT DIFF.

wt. _____

GEAR DIFF.

TOE ANGLE

OIL SHOCK

OIL _____

mm _____

OIL SHOCK LENGTH _____ mm

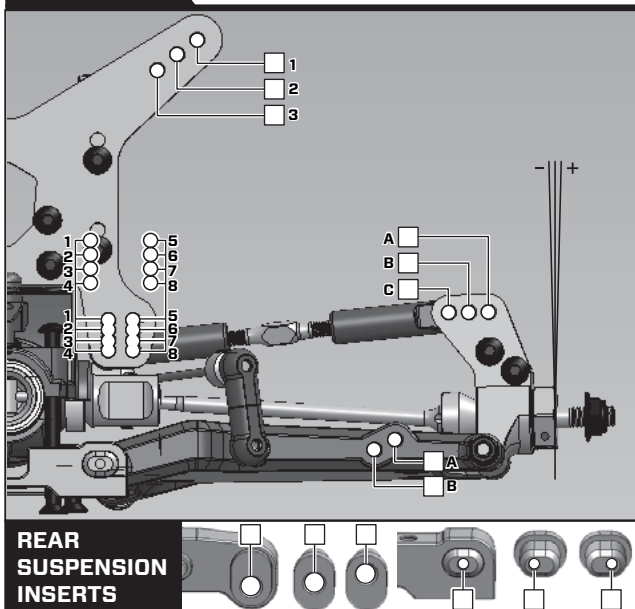
PISTON _____

Holes _____

SPRING _____

mm _____

REAR



CAMBER

L _____

R _____

REAR TIRE

TYPE _____

HARDNESS _____

REAR DIFF.

wt. _____

GEAR DIFF.

TOE ANGLE

OIL SHOCK

OIL _____

mm _____

OIL SHOCK LENGTH _____ mm

PISTON _____

Holes _____

SPRING _____

mm _____

MID GEAR DIFF.

T _____

wt. _____

MID SLIPPER

T _____

mm _____

REAR SUSPENSION SPACER

mm _____

mm _____

mm _____

mm _____